



“MADE IN ITALY”

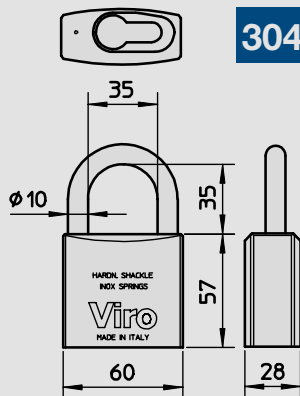
PADLOCKS SUITABLE FOR HALF CYLINDER

ITEM 304.MC AND ITEM 4117.MC

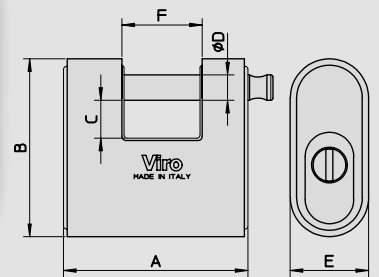
BOTH OF THESE VIRO PADLOCKS ARE SPECIALLY DESIGNED FOR USE WITH ANY 40 MM (30/10) HALF CYLINDER. EASY TO FIT/REPLACE HALF CYLINDER, WITH THE PADLOCK OPEN.

ALLOWS CREATING IN SUITES: SAME KEY (OR KEYED ALIKE) OR MASTER KEY SYSTEMS; CHANGING THE COMBINATION OF THE KEYS; KEYING ALIKE CYLINDERS AND PADLOCKS EASILY; RESTRICTING ACCESS (E.G. USING THE PATENTED PROFILE HALF CILINDERS ITEM 1.772.PV OR ITEM 1.772.PB).

- **Stainless steel support** with profiled slot to accept the half cylinder (with the screw supplied).
- **Shackle/Dead-bolt:** case-hardened and tempered steel for high resistance to attack; copper, nickel and chrome-plated for high corrosion resistance.
- **Mechanism:**
 - set up for use with any 40 mm (30/10) long, European profile, half cylinder with universal or DIN 30° cam;
 - the support with the half cylinder is housed inside the padlock with the screw supplied (operated by the Allen key provided for item 4117.MC) through the shackle hole (304.MC), or the hole on the dead-bolt extraction side (4117.MC) (i.e. the half cylinder can only be changed with the padlock open);
 - all latches, springs and screw are stainless steel.
- **Packaging:** single box visual pack.



ITEM
304.MC



ITEM
4117.MC

Padlock open:
accessible hole
to replace the
half cylinder



Padlock closed:
obstructed hole by
a case-hardened
steel pin



Padlock open:
accessible
shackle hole to
replace the
half cylinder



Item No.	Body dimensions	Shackle clearance	Horizontal and vertical clearance	Shackle/Dead-bolt diameter	Unit weight	Pcs. per pack
	mm A x B x E	mm F x C	mm F x C	mm D	g	No.
304.MC	60 x 57 x -	35 x 35	-	10	700	1
4117.MC	87 x 84 x 37	-	36 x 18	12	1150	1