



- Flexible twisted steel cables Ø 25 mm, from 120 or 150 cm long
- Armour composed of tempered steel cylindrical elements. Scratch-proof black PVC cover
- Triple ball rotating locking mechanism, 7 disc copper, nickel and chrome-plated zamak plug, protected by a resistant to attack plate with scratch-proof ABS cover
- Supplied with 3 German silver keys with ergonomic non slip ABS grip; one key is blue with useful light integrated
- **Strong and resistant; recommended for locking scooters and motorbikes**



Weatherproof lock

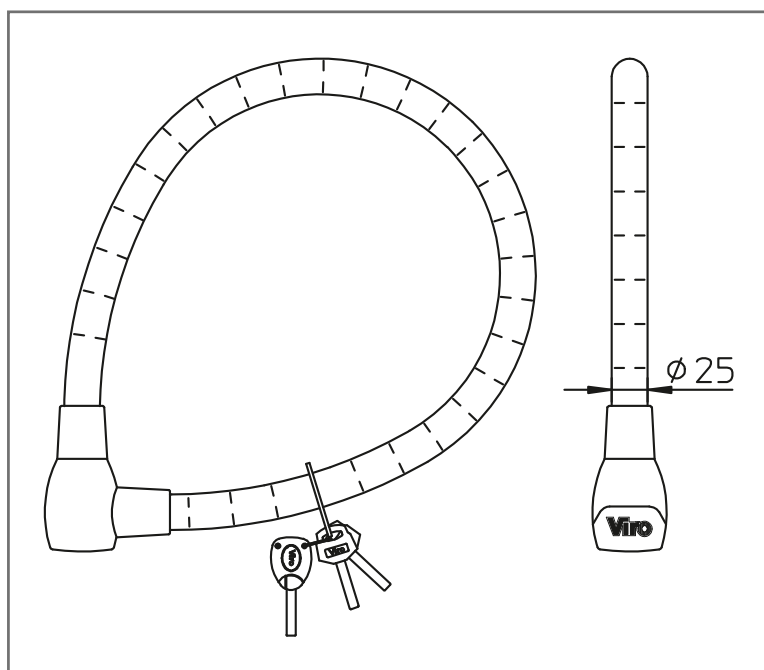


Key with useful blue light integrated





TWISTED AND ARMOURED CABLES SERPIS PLUS



| ITEM CODE | EXTERNAL DIAMETER mm | CABLE LENGTH cm | NET UNIT WEIGHT g |
|-----------|----------------------|-----------------|-------------------|
| 174.120 | 25 | 120 | 1880 |
| 174.150 | 25 | 150 | 2180 |