

- One-piece, armour covered and chrome-plated finish body. Black scratch-proof ABS lock cover
- Case-hardened, tempered, copper, nickel and chrome-plated steel shackle, Ø 11 mm
- Mobile, symmetrical double locking ball mechanism. 7 disc copper, nickel and chrome-plated zamak plug, protected by a resistant to attack plate and enclosed in a tempered steel body with scratch-proof ABS cover
- Supplied with 3 German silver keys with ergonomic non slip ABS grip. One key is blue with useful light integrated

● **Very sturdy and compact; suitable for locking scooters and motorbikes**



Supplied with useful nylon textile bag and "reminder" cable to avoid starting with the disc lock inserted. Lock protected by weatherproof cap



Key with useful blue light integrated

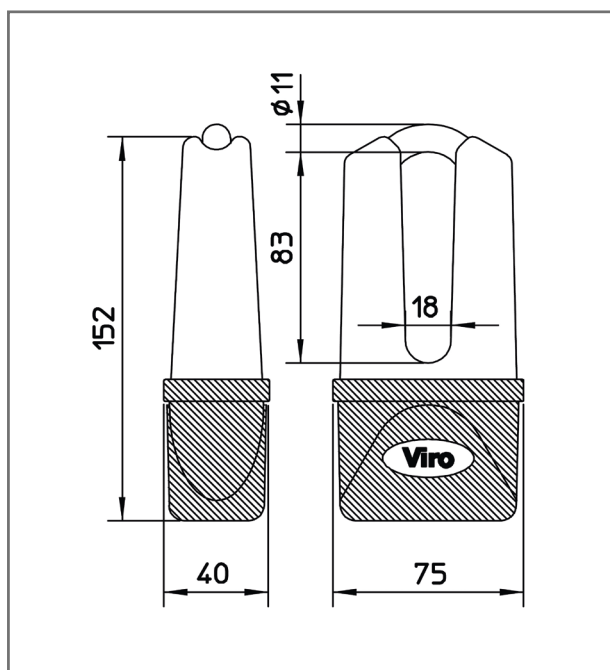


ITEM 152.47





DISC LOCK **BLINDATO EXTREME**



ITEM CODE	SHACKLE DIAMETER mm	FINISH	NET UNIT WEIGHT g
152.47	11	CHROME	1490



ITEM 152.47