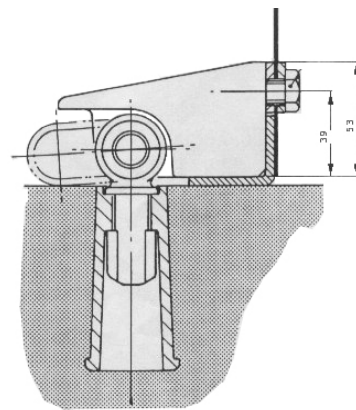
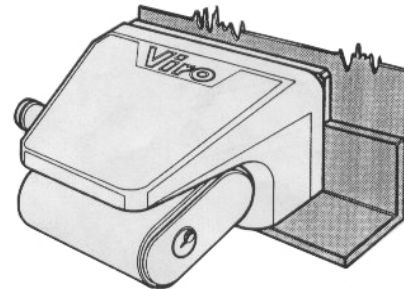
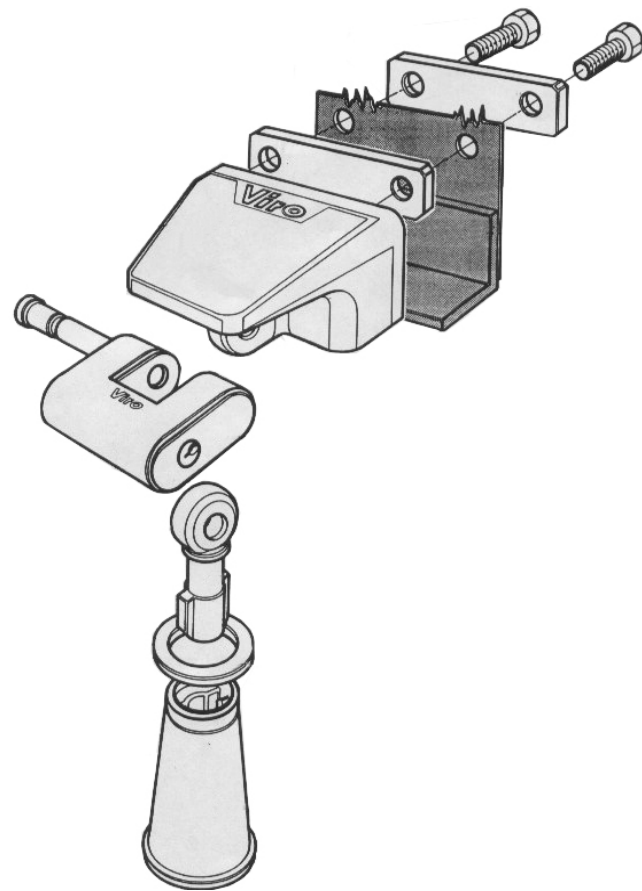
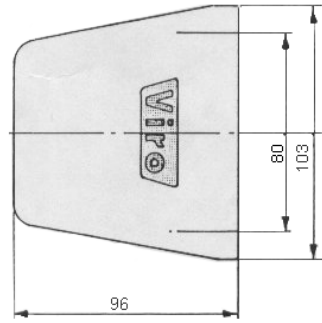


**PADLOCK ROOF-PLATE**

- **Steel roof-plate and loose ring:** floor anchoring device with sprung dust cover and ring nut.
- **May be used with:** roller shutter padlocks, Viro Panzer, Armoured Padlocks Fai by Viro, Monolith and Euromonolith.

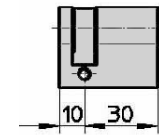
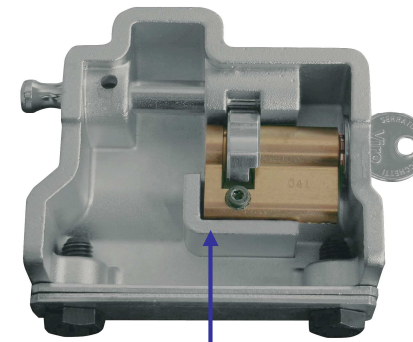
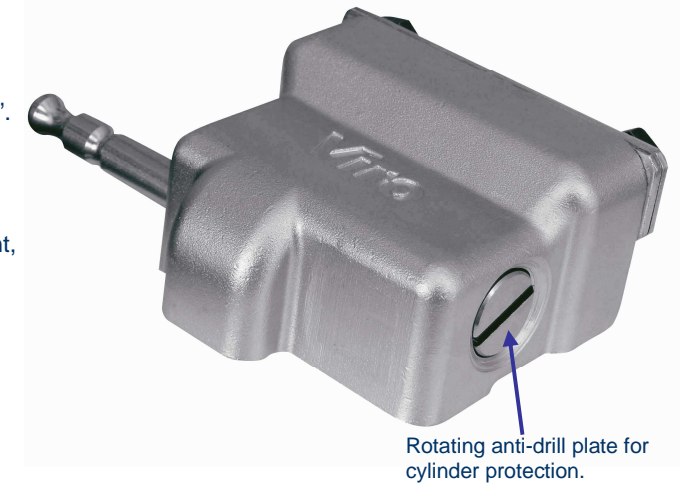
ITEM No.	Unit weight No.	Pcs. per pack No.
4219	1825	1



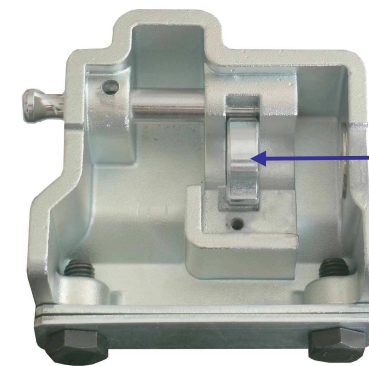
58030360305015 - 06/2011

**NEW CONDOR**

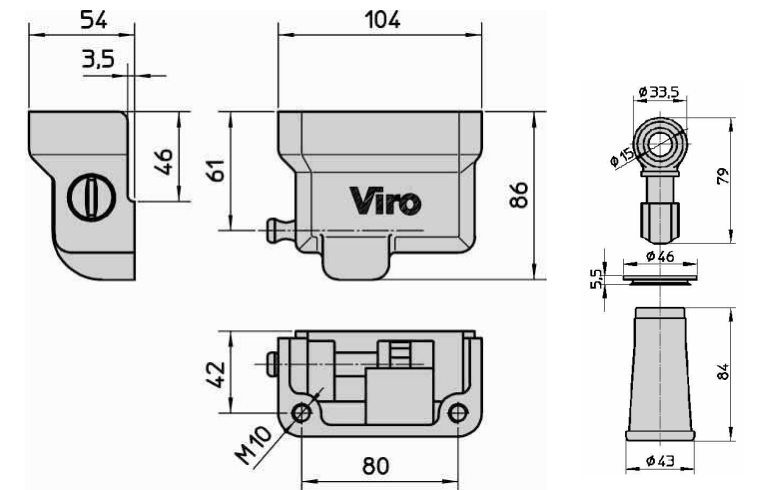
- **Solid, one-piece, galvanized steel** body with rounded edges and limited dimensions. Steel plates and screws for locking to the roller shutter.
- **Floor anchoring device** in brass with sprung dust cover and brass device ring nut.
- **Interchangeable with fastening unit for roller shutter Viro "Condor".**
- **The rounded, one-piece body provides excellent pull-resistance.**
- **Loose locking ring:** galvanized and forged steel.
- **Lock-bolt:** 12 mm diameter anticut rotating lock-bolt, case-hardened, tempered, copper and nickel and chrome plated steel, with pull resistant, programmed head breakage.
- **Cam:** galvanized steel for lock-bolt blocking.
- **Rotating plate:** resistant to attack and drill-resistant, case-hardened, tempered, copper and nickel plated steel.
- **Set up** for use with any 40 mm long European profile universal or DIN cam half cylinder (30+10). Recommended:
  - Viro cylinder item 1.772
  - Viro cylinder item 975.1
  - Viro cylinder item 875.30.10
 (for the above items all special executions are possible).



Cylinder is suitable for all type of padlocks so all different combinations, special executions and arrangements on existing plants are allowed. Supplied without cylinder.



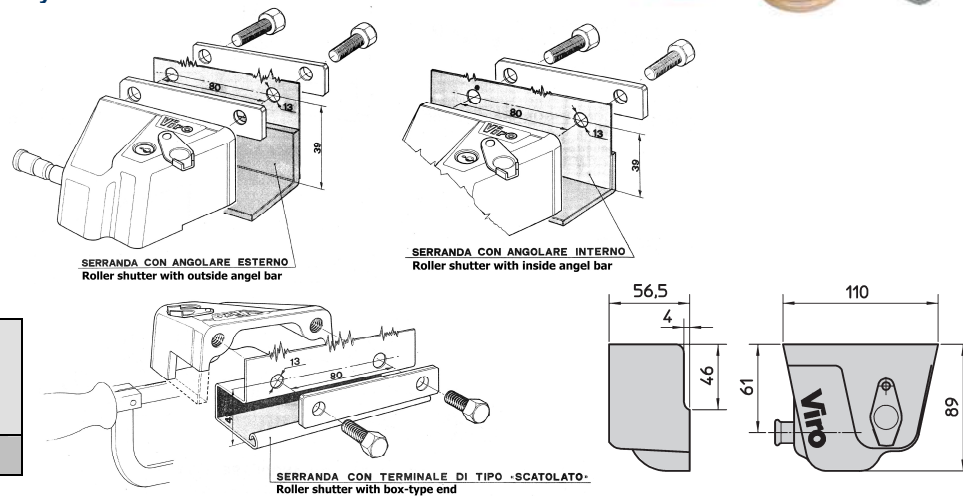
Cam for lock-bolt blocking.



ITEM No.	Unit weight g	Pcs per pack No.
1.4218	1800	1

CONDOR

- Solid galvanised steel **one-piece body**. Steel plates and screws for locking to the roller shutter. **Floor anchoring device** in brass with sprung dust cover and brass device ring nut.
- **The rounded, one-piece body provides excellent pull-resistance.**
- **Loose locking ring:** in galvanized and forged steel, perfectly fitting in the floor anchoring device for fixing point unassailability.
- **Lock-bolt:** 12 mm case-hardened, tempered, cooper, nickel and chrome-plated steel rotating resistant to attack lock-bolt.
- **Mechanism:** the application of "Condor" body (anchored to the roller shutter) is from top on the loose locking ring inserted and turned for fixing to the floor anchoring device. Then the lock-bolt has to be inserted into the loose locking ring head and locked with the key for a perfect blocking.
- **Viro 7 pin armoured cylinder.** Key removable in locked and unlocked position. Lock protected by a dust-proof plastic cap.
- **Keys:** supplied with 4 Viro top security profile nickel plated brass keys.
- **Cylinder interchangeability** allows spare part supplies and arrangements on existing plants.
- **All special executions are possible for the cylinder.**

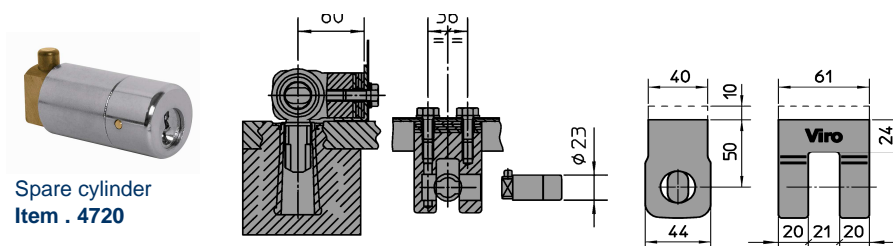


Spare cylinder Item No.4718

ITEM No.	Keys item No.	Unit weight No.	Pcs. per pack No.
4218	037	2470	1

MINI CONDOR

- **Central core in galvanized and forged steel.** Steel plates and screws for locking to the roller shutter. **Floor anchoring device** in brass with sprung dust cover and brass device ring nut. **Pull-resistant, rounded shape.**
- **Loose locking ring:** in galvanized and forged steel, perfectly fitting in the floor anchoring device for fixing point unassailability.
- **Viro retractable, armoured, 5 pin slide/cylinder with double the thickness of a standard padlock shackle.** Key removable in locked and unlocked position. Once the "Minicondor" has been inserted, there is no space for the insertion of burglary tools between the slide/cylinder, the loose locking ring head and the central core.
- **Mechanism:** the application of "Minicondor" (anchored to the roller shutter) is from top on the loose locking ring inserted and turned for fixing to the floor anchoring device. Then the slide/cylinder has to be inserted into the loose locking ring head and locked with the key for a perfect blocking.
- **Keys:** supplied with 3 Viro top security profile nickel plated brass keys.
- **Slide/cylinder interchangeability** allows spare part supplies and arrangements on existing plants.
- **All special executions are possible.**

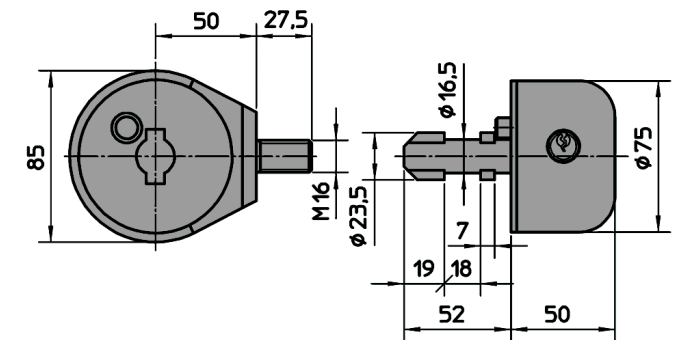
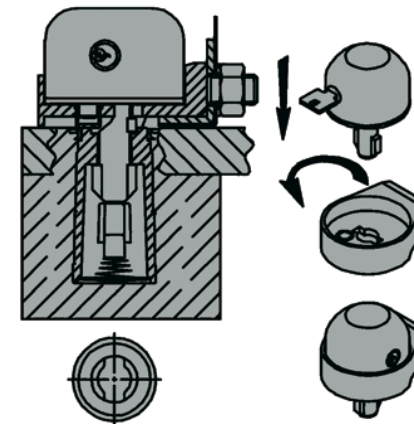


Spare cylinder Item . 4720

ITEM No.	Keys item No.	Unit weight No.	Pcs. per pack No.
4220	033	1945	1

DOME PADLOCK

- **Solid brass body covered with a polished inox stainless steel outer casing.** Steel fastening bracket for the roller shutter. **Brass floor anchoring device** with sprung dust cover Anchoring device brass ring nut.
- **The spherical shape provides excellent pull-resistance.**
- **Locking pin with resistant to attack plug** which comes out of the body, crosses fastening bracket and perfectly fit in the floor anchoring device for fixing point unassailability.
- **Mechanism:** the application of "Dome padlock" is from top on the fastening bracket (anchored to the roller shutter); mechanism locks by pressing on floor anchoring device spring and then by turning 90° anticlockwise to block locking pin inside the anchoring device.
- **7 pin security cylinder with pull-resistant plug.**
- Supplied with **2 nickel plated brass keys Viro Top Security profile** with comfortable grip allowing both vertical pressure and "Dome Padlock" rotation. Key removable only in locked position.
- "Dome Padlock" **perfectly fits** with a number of previously installed floor anchoring devices.
- Standard KA executions are available.



ITEM No.	Keys item No.	Unit weight No.	Pcs. per pack No.
4221	084	2485	1

ACCESSORIES

Dome Padlock



ITEM No.	Keys item No.	Unit weight No.	Pcs. per pack No.
4221.500	084	1340	1

Floor anchoring device



ITEM No.	Keys item No.	Unit weight No.
2.0.4221.198.00.000	580	1