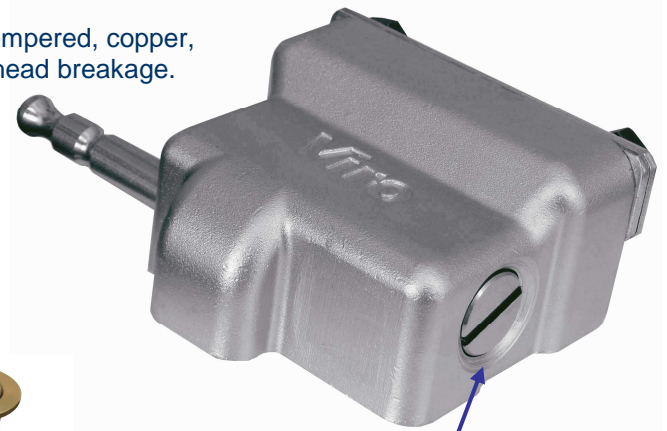


“NEW CONDOR”

STRUCTURAL FEATURES

- **Body:** one-piece, solid galvanized steel.
- **Lock-bolt:** 12 mm diameter rotating deadbolt, case-hardened, tempered, copper, nickel and chrome plated steel, with pull-resistant, programmed head breakage.
- **Cam:** galvanized steel for lock-bolt blocking.
- **Rotating plate:** for cylinder protection burglar resistant anti-drill, case-hardened, tempered, copper and nickel plated steel.
- **Floor anchoring device:** brass with sprung dust cover and brass device ring nut.
- **Loose locking ring:** galvanized and forged steel.
- **Steel plate** and screws for locking to the roller shutter.

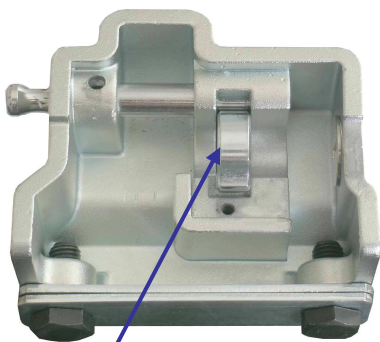


Rotating anti-drill plate for cylinder protection.

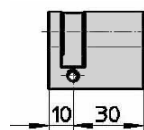
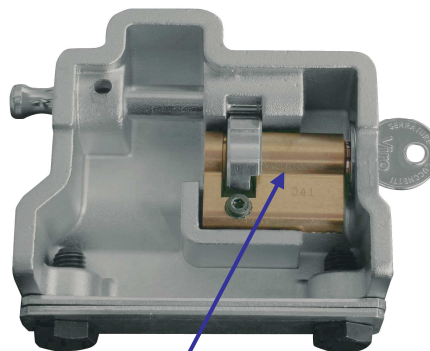


TECHNICAL FEATURES

- **Fixing accessories** for roller shutter, rounded edges and small dimensions.
- **Rounded compact unit** pull resistant
- **Suitable** with any half cylinder type, European profile length 40 mm (30+10) with DIN or universal cam. Recommended:
 - Viro cylinder item 1.772
 - Viro cylinder item 975.1
 - Viro cylinder item 875.30.10
 (for the above items all special executions are possible).
It may be changed with Viro “Condor” roller shutter unit (item 4218).

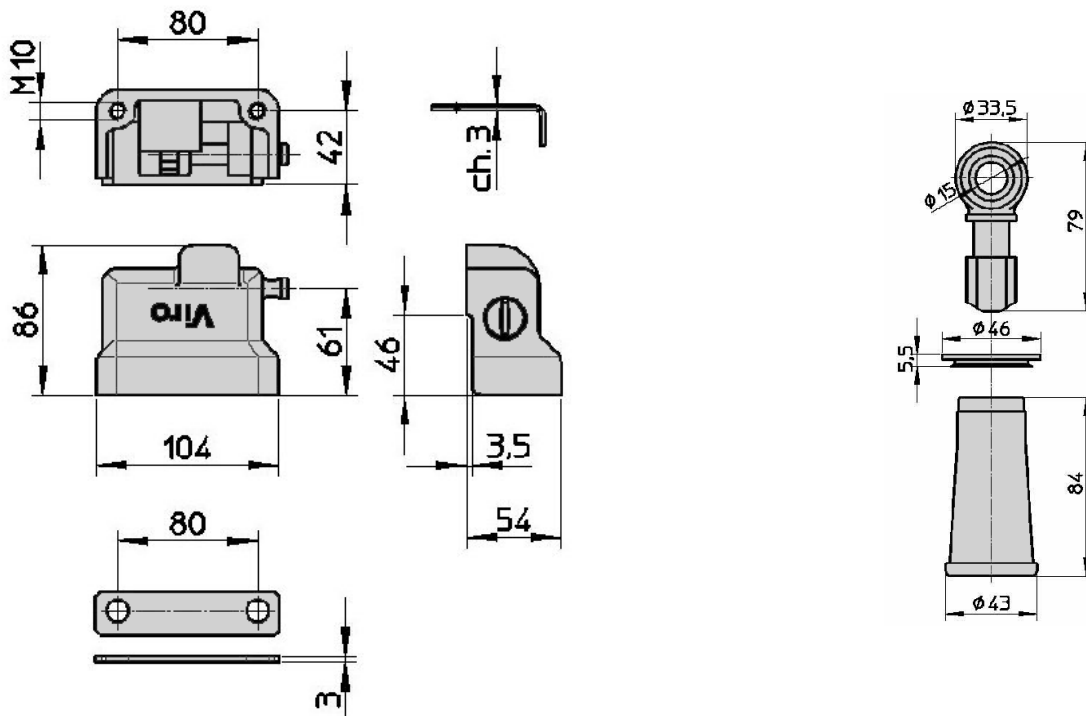


Cam for lock-bolt blocking.



Cylinder is suitable for all type of padlocks so all different combinations, special executions and arrangements on existing plants are allowed. **Supplied without cylinder.**

“NEW CONDOR”



ITEM No.	Unit weight g	Pcs. per pack No.
1.4218	1800	1

58030230205015 - 06/2011