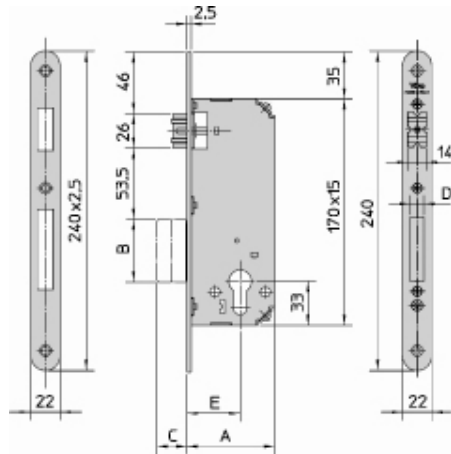


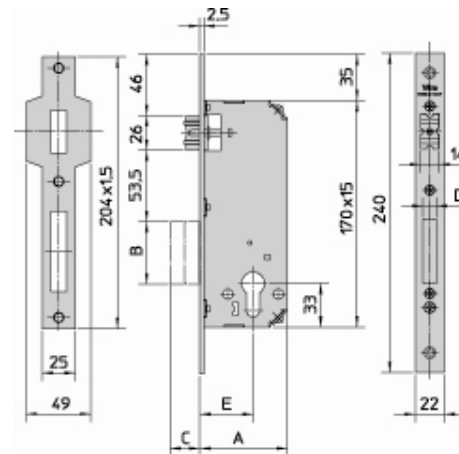
STEEL VERSION BRASS FINISH - ROUND CORNERS

ITEM No.	Backset mm E	Case Width mm. A	Deadbolt dimensions mm B x D	Throw projection mm C	Throws N.	Unit Weight (without cylinder) gr
7438.50.1.046	50	76	47 x 10	20	2	695



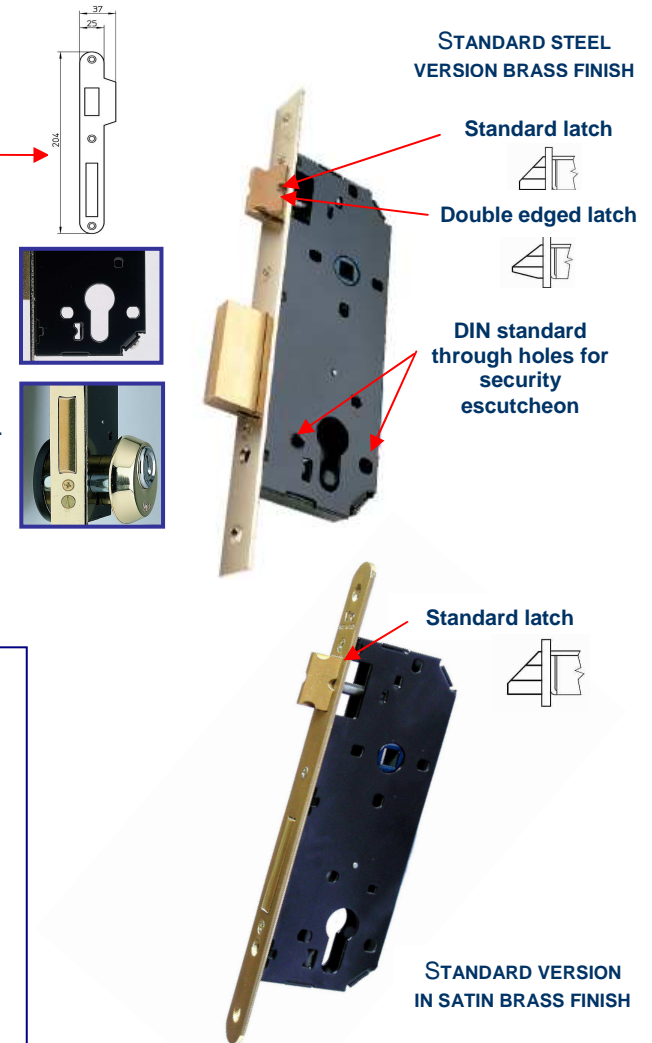
STELL VERSION BRASS FINISH - SQUARE BORDERS

ITEM No.	Backset mm E	Case Width mm. A	Deadbolt dimensions mm B x D	Throw projection mm C	Throws N.	Unit Weight (without cylinder) gr
7438.20.2.046	20	35	40 x 8,5	14	1	435
7438.25.2.046	25	40	40 x 8,5	14	1	460
7438.30.2.046	30	45	40 x 8,5	14	1	495
7438.35.2.046	35	61	47 x 10	20	2	620
7438.40.2.046	40	66	47 x 10	20	2	645
7438.45.2.046	45	71	47 x 10	20	2	655
7438.50.2.046	50	76	47 x 10	20	2	695
7438.60.2.046	60	86	47 x 10	20	2	745



58030121104015 - 06/2011

- Painted steel completely closed case. **Removable and replaceable plate.** Plate or striking plate in steel (series 7435) or brass (series 7431) **DIN standard through holes for insertion of security escutcheon.** 8 mm handle hole.
- Plate and striking plate with square or round corners** (on request: striking plate with round corners and fin).
- Mechanism with solid brass latch and deadbolt:**
  - Double throw for 35 to 70 mm. backsets;
  - One throw for 20 to 35 mm. backsets. (35 mm backset with both single and double throw)
  - 85 mm hub to key.
- Latch reversible with a simple movement**  
Brass version with standard latch (for maximum security)  
Steel version with standard or double edged latch (the double edged latch centers itself according to the striking plate making the lock easier to install).
- Optional** solid, carbonitrided chrome and brass-plated steel, drill and pull-resistant steel **security escutcheon**, with 5 mm adjustment (item 808).
- Supplied with:** fixing screws for the lock and fixing screw for the cylinder.
- Packaging:** single box.
- Special visual packs.



<p><b>Steel version (standard brass finish)</b> Finishes on request: plate and striking plate (round or square corners) in:</p> <p>Nickel plated steel (.009)      Inox stainless steel (.057) only for square corner standard latch locks.</p>	<p><b>Brass version (standard satin brass finish)</b> Finishes on request: plate and striking plate (round or square corners) and visible parts:</p> <p>Satin nickel plated brass (.009)</p>
---	--

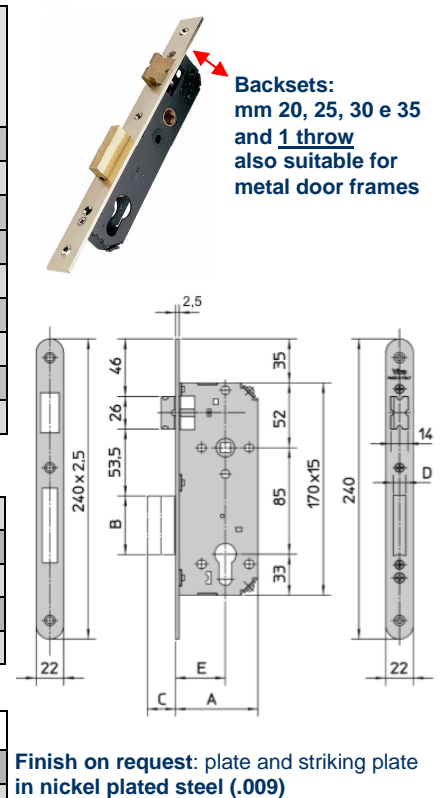
STEEL VERSION BRASS FINISH - ROUND CORNERS

ITEM No.	Backset mm E	Case Width mm. A	Deadbolt dimensions mm B x D	Throw projection mm C	Throws N.	Unit Weight (without cylinder) gr
7435.20.1.046	20	35	40 x 8,5	14	1	455
7435.25.1.046	25	40	40 x 8,5	14	1	480
7435.30.1.046	30	45	40 x 8,5	14	1	520
7435.35.1.046	35	61	47 x 10	20	2	635
7435.40.1.046	40	66	47 x 10	20	2	665
7435.45.1.046	45	71	47 x 10	20	2	700
7435.50.1.046	50	76	47 x 10	20	2	730
7435.60.1.046	60	86	47 x 10	20	2	790
7435.70.1.046	70	96	47 x 10	20	2	835

Interasse mm.90 - Quadro maniglia mm.90 - con riduttore a mm.8 in dotazione

ITEM No.	Backset mm E	Case Width mm. A	Deadbolt dimensions mm B x D	Throw projection mm C	Throws N.	Unit Weight (without cylinder) gr
7435.40.3.046	40	66	47 x 10	20	2	665
7435.45.3.046	45	71	47 x 10	20	2	700
7435.50.3.046	50	76	47 x 10	20	2	730
7435.60.3.046	60	86	47 x 10	20	2	790
7435.70.3.046	70	96	47 x 10	20	2	835

90 mm hub to key – handle hole 9 mm - with reducer to 8 mm provided						
7435.90.40.1.046	40	66	47 x 10	20	2	665
7435.90.50.1.046	50	76	47 x 10	20	2	730



STEEL VERSION BRASS FINISH

ITEM No.	Backset	Case Width	Deadbolt dimensions	Throw projection	Throws	Unit Weight (without cylinder) gr
	mm E	mm. A	mm B x D	mm C	N.	
7435.20.2.046	20	35	40 x 8,5	14	1	455
7435.25.2.046	25	40	40 x 8,5	14	1	480
7435.30.2.046	30	45	40 x 8,5	14	1	520
7435.36.2.046	35	50	47 x 10	14	1	565
7435.35.2.046	35	61	47 x 10	20	2	635
7435.40.2.046	40	66	47 x 10	20	2	665
7435.45.2.046	45	71	47 x 10	20	2	700
7435.50.2.046	50	76	47 x 10	20	2	730
7435.60.2.046	60	86	47 x 10	20	2	790
7435.70.2.046	70	96	47 x 10	20	2	835

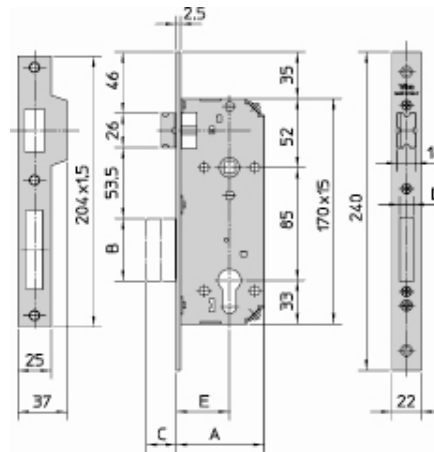


Double edged latch



7435.35.4.046	35	61	47 x 10	20	2	635
7435.40.4.046	40	66	47 x 10	20	2	665
7435.45.4.046	45	71	47 x 10	20	2	700
7435.50.4.046	50	76	47 x 10	20	2	730
7435.60.4.046	60	86	47 x 10	20	2	790
7435.70.4.046	70	96	47 x 10	20	2	835

- SQUARE CORNERS

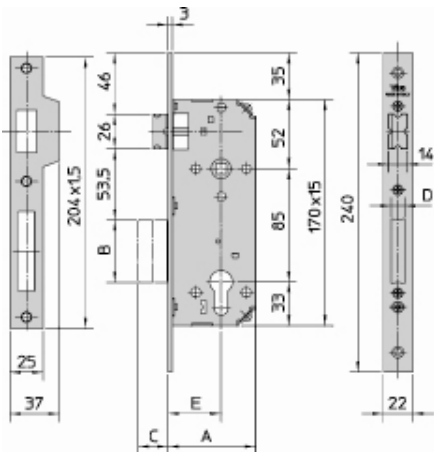


SATIN BRASS VERSION

- SQUARE CORNERS

ITEM No.	Backset	Case Width	Deadbolt dimensions	Throw projection	Throws	Unit Weight (without cylinder) gr
	mm E	mm. A	mm B x D	mm C	N.	
7431.25.2.000	25	40	40 x 8,5	14	1	510
7431.30.2.000	30	45	40 x 8,5	14	1	540
7431.35.2.000	35	61	47 x 10	20	2	660
7431.40.2.000	40	66	47 x 10	20	2	690
7431.45.2.000	45	71	47 x 10	20	2	720
7431.50.2.000	50	76	47 x 10	20	2	750
7431.60.2.000	60	86	47 x 10	20	2	810
7431.70.2.000	70	96	47 x 10	20	2	865

Standard latch



- Painted steel completely closed case. **Removable and replaceable plate.**  
Plate or striking plate in steel (series 7438)  
**DIN standard through holes for insertion of security escutcheon.**

- Plate and striking plate with square corners (and double fin) or round corners.**

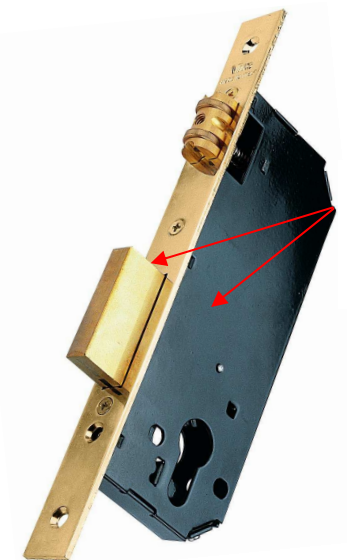
- Mechanism:** with solid brass roller and deadbolt:
  - Double throw for 35 to 60 mm. backsets;
  - One throw for 20 to 30 mm. backsets. (35 mm backset with both single and double throw).

- Adjustable roller** (with a screwdriver, in the roller hole, when the lock is already mounted) for projection ranging between 2 and 12 mm.

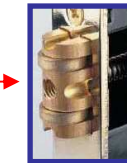
- Optional** solid, carbonitrided chrome and brass-plated steel, drill and pull-resistant steel **security escutcheon**, with 5 mm. adjustment (item 808).

- Packaging:** single box.

STANDARD STEEL VERSION BRASS FINISH



DIN standard through holes for security escutcheon.



STANDARD VERSION IN SATIN BRASS



Backsets: mm 20, 25, 30 e 35 and 1 throw also suitable for metal door frames.

Steel version (standard brass finish)

Finishes on request: plate and striking plate (round or square corners) in:



Nickel Plated steel (.009)