



REVERSIBLE MODULAR CROSS BAR



REVERSIBLE MODULAR PUSH BAR



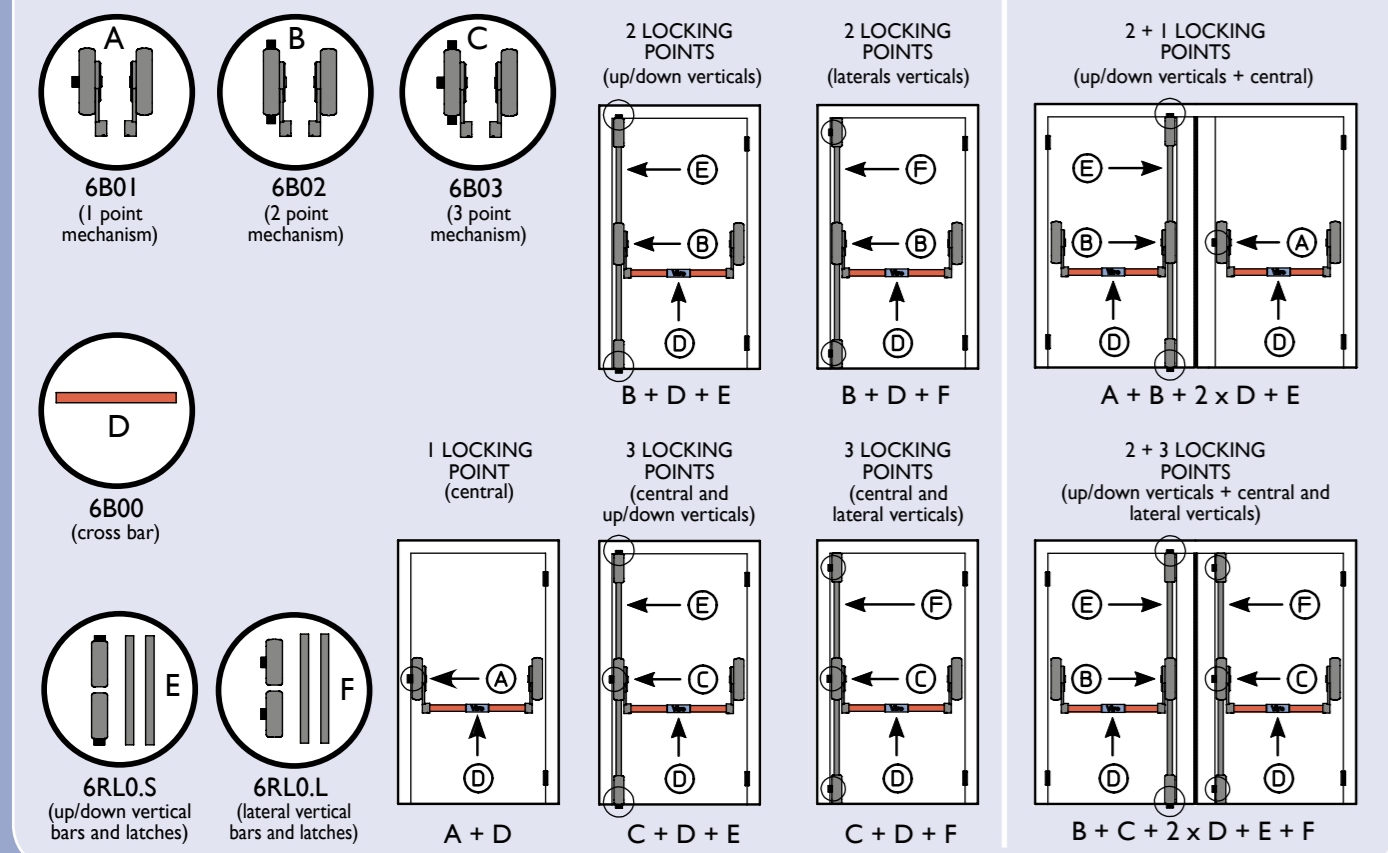
AESTHETICALLY PLEASING SAFE AND STURDY



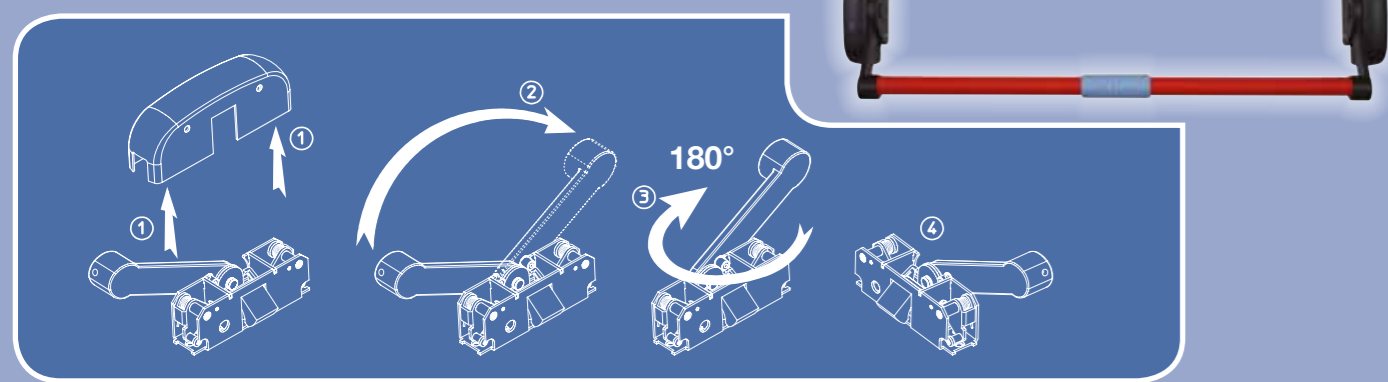
APPLICATION AND TECHNICAL DETAILS



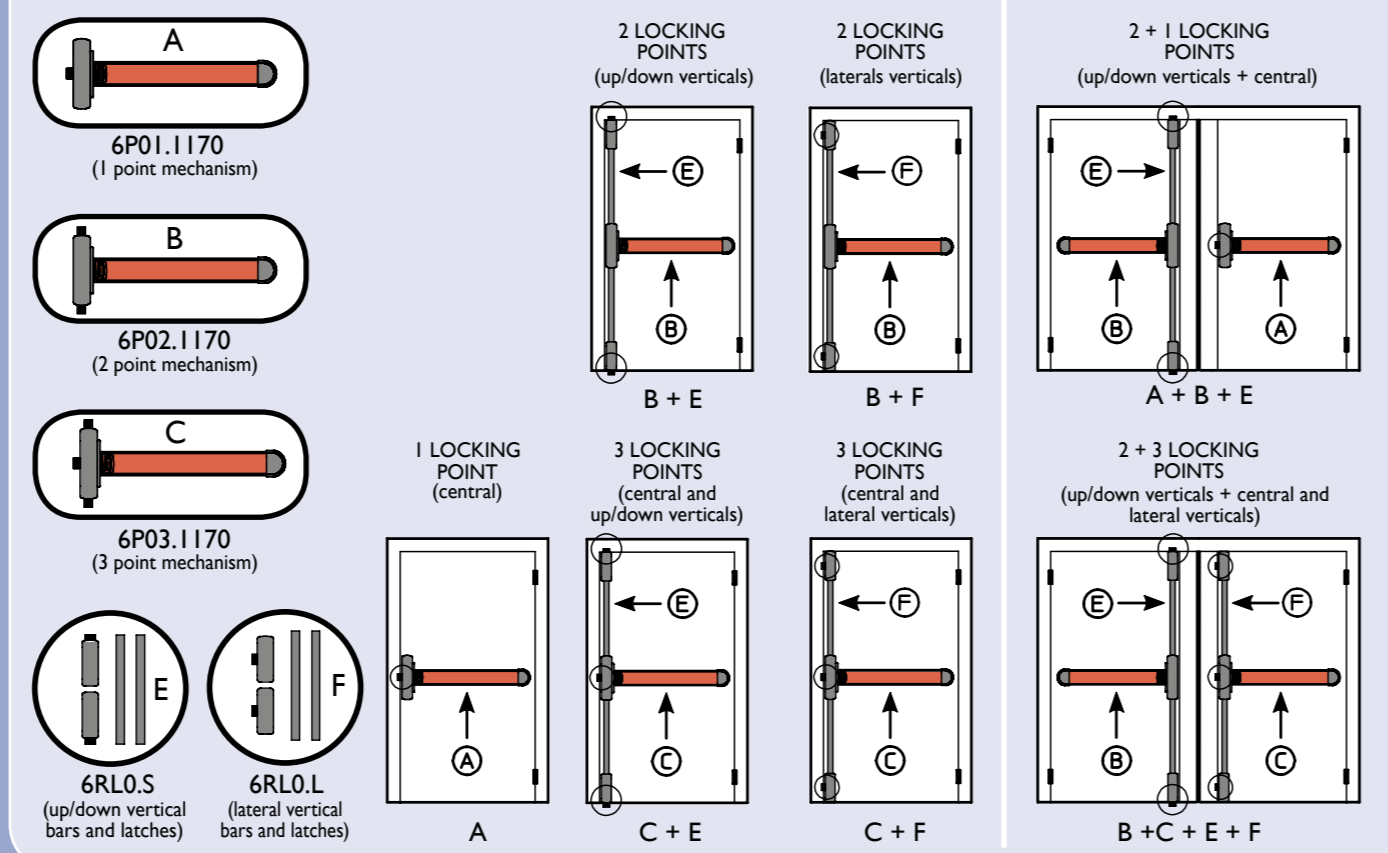
MODULARITY ACCORDING TO THE DOOR



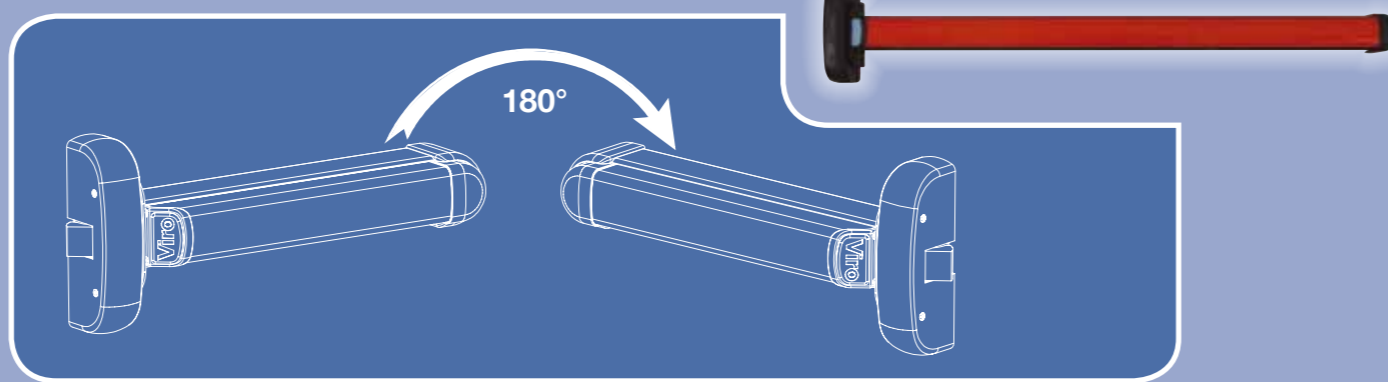
REVERSIBILITY



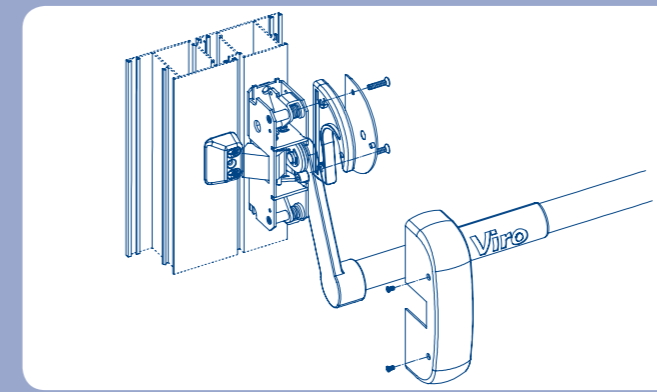
MODULARITY ACCORDING TO THE DOOR



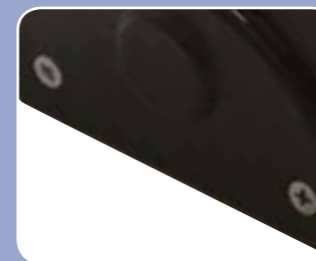
REVERSIBILITY



Bars and carters of the vertical locking points have increased length (compared to the average of the products on the market) even in the standard version



Components designed to absorb the hits of pushes and pulls on the bar without forcing the mechanism



Stainless steel grub screws and fixing screws, designed for the maximum duration



Levers for the control of the mechanism highly resistant to stress



Adjustable strikes in AISI 304 stainless steel applicable on several profiles (misaligned and aligned)



Latches in hardened and nickel-plated sintered steel (not zamak) for a great resistant to wear



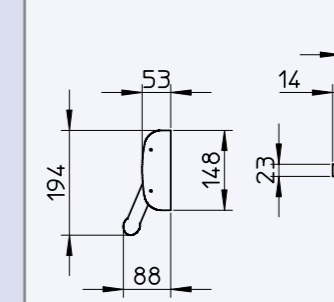
1.5 mm thick carters in painted steel



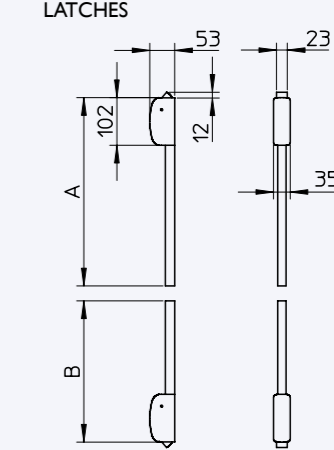
Photoluminescent insert to locate the panic exit device in the darkness



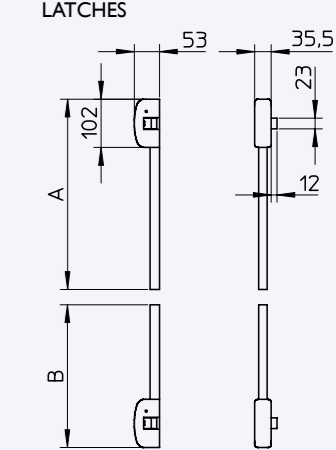
HORIZONTAL CROSS BAR



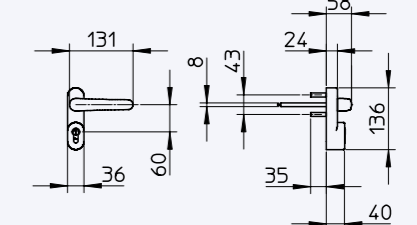
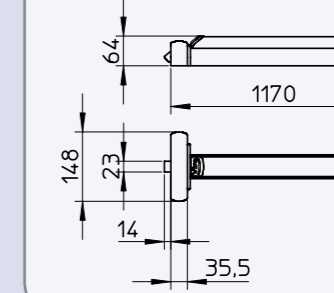
UP/DOWN VERTICAL BARS AND LATCHES



LATERAL VERTICAL BARS AND LATCHES



PUSH BAR



EXTERNAL HANDLE CONTROL + HALF CYLINDER

	STANDARD	ON REQUEST
A	1490	2000
B	1030	1030
L	1150	1450

Sizes in mm.















CERTIFIED  EN 1125:2008
 CATEGORISATION **377B1422BA**

PUSH BAR PANIC DEVICE





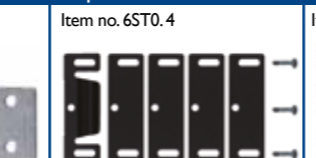
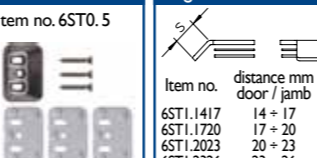
Ready to be shortened up to 27 cm and to be reduced by a section of 20 cm or less without disassembling the mechanism

Base of the mechanism of just 35.5 mm and push bar protruding just 64 mm to minimise the encumbrance and do not obstruct the escape routes

with more locking points
 doors up to and **over 200 kg in mass**
 even after extreme use and heavy stress
 simplify the installation

CROSS BAR MECHANISM LATCHES CONTROL		Item No.	Locking points	Finish	Unit weight g
	1	6B01.N	1	BLACK	2040
	2	6B02.N	2	BLACK	1980
	3	6B03.N	3	BLACK	2090
▶ For finishes on request , replace (.N) with (.G) GREY RAL 9006 or (.A) "steel"					
HORIZONTAL BAR		Item No.	Length cm	Finish	Unit weight g
		6B00.1150.R	115	RED BAR	550
		6B00.1150.Y	115	YELLOW BAR	550
▶ For finishes on request , replace (.R) or (.Y) with (.X) "stainless steel" or (.S) "anodized silver" and/or the length of the bar increased up to 145 cm (.1450 instead of .1150)					
PUSH-BAR COMPLETE MECHANISM		Item No.	Locking points	Finish	Unit weight g
		6P01.1170.RN	1	RED PUSH BAR	3120
		6P02.1170.RN	2	RED PUSH BAR	3070
		6P03.1170.RN	3	RED PUSH BAR	3170
▶ For finishes on request , replace (.RN) with GREY RAL 9006 (.GG) or, only for the version with 3 locking points, "steel" (.AA)					
VERTICAL LATCHES AND BARS UP/DOWN		Item No.	Length cm	Finish	Unit weight g
		6RL0.S.I.N	149/103	BLACK	2320
VERTICAL LATCHES AND BARS LATERAL		Item No.	Length cm	Finish	Unit weight g
		6RL0.L.I.N	149/103	BLACK	2340
▶ For finishes on request , replace (.N) with (.G) GREY RAL 9006 or (.A) "steel" and/or the length of the bar increased to 200/103 cm (.2 instead of .1)					
CROSS BAR ON REQUEST KIT COMPOSED OF: MECHANISM LATCHES CONTROL, HORIZONTAL BAR 115 cm, VERTICAL LATCHES AND BARS 149/103 cm		Item No.	Locking points	Finish	Unit weight g
		6B01.1150.RN	1 HORIZ.	RED BAR	2815
		6B01.1150.YN	1 HORIZ.	YELLOW BAR	2815
		6B02.115S.1.RN	2 VERT. UP/DOWN	RED BAR	4830
		6B02.115L.1.RN	2 VERT. LATERAL	RED BAR	4850
		6B02.115S.1.YN	2 VERT. UP/DOWN	YELLOW BAR	4830
		6B02.115L.1.YN	2 VERT. LATERAL	YELLOW BAR	4850
		6B03.115S.1.RN	1 HORIZ. + 2 VERT. UP/DOWN	RED BAR	4940
		6B03.115L.1.RN	1 HORIZ. + 2 VERT. LATERAL	RED BAR	4960
		6B03.115S.1.YN	1 HORIZ. + 2 VERT. UP/DOWN	YELLOW BAR	4940
		6B03.115L.1.YN	1 HORIZ. + 2 VERT. LATERAL	YELLOW BAR	4960
PUSH-BAR ON REQUEST KIT COMPOSED OF: COMPLETE MECHANISM, VERTICAL LATCHES AND BARS 149/103 cm		Item No.	Locking points	Finish	Unit weight g
		6P02.117S.1.RN	2 VERT. UP/DOWN	RED PUSH BAR	4660
		6P02.117L.1.RN	2 VERT. LATERAL	RED PUSH BAR	4680
		6P03.117S.1.RN	1 HORIZ. + 2 VERT. UP/DOWN	RED PUSH BAR	5390
		6P03.117L.1.RN	1 HORIZ. + 2 VERT. LATERAL	RED PUSH BAR	5410

ACCESSORIES

EXTERNAL HANDLE CONTROL + NICKEL-PLATED HALF PROFILE CYLINDER Item no. 1.772.9		Item No.	Finish	Unit weight g
		6H00.N	BLACK	900
For finishes on request , replace (.N) with (.G) GREY RAL 9006 or (.A) "steel" and/or versions with external opening only with inserted key (6H02 instead of 6H00)				
Hinges for installation on aluminium and wooden profiles			Hinges for installation on PVC profiles	
Item no. 6ST0.1	Item no. 6ST0.2	Item no. 6ST0.3	Item no. 6ST0.4	Item no. 6ST0.5
				
			Item no.	distance mm door / jamb
				S mm
			6ST1.1417	14 - 17
			6ST1.1720	17 - 20
			6ST1.2023	20 - 23
			6ST1.2326	23 - 26

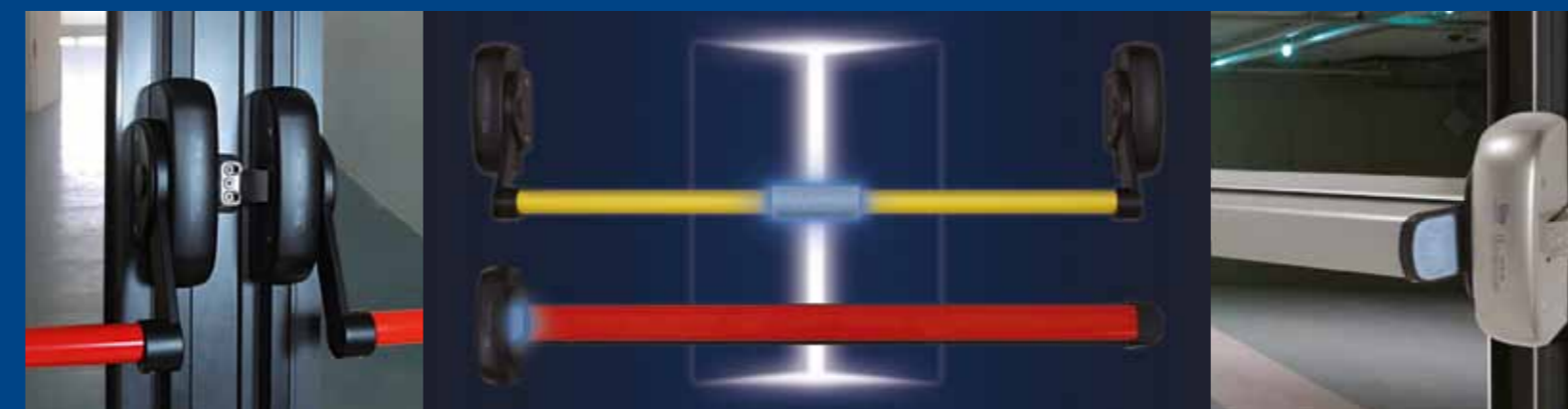
Viro S.p.A.

VIA GARIBALDI 4 - 40069 ZOLA PREDOSA (BO) ITALY TEL. +39.051.6176511 - FAX +39.051.754022

www.viro.it viro@viro.it

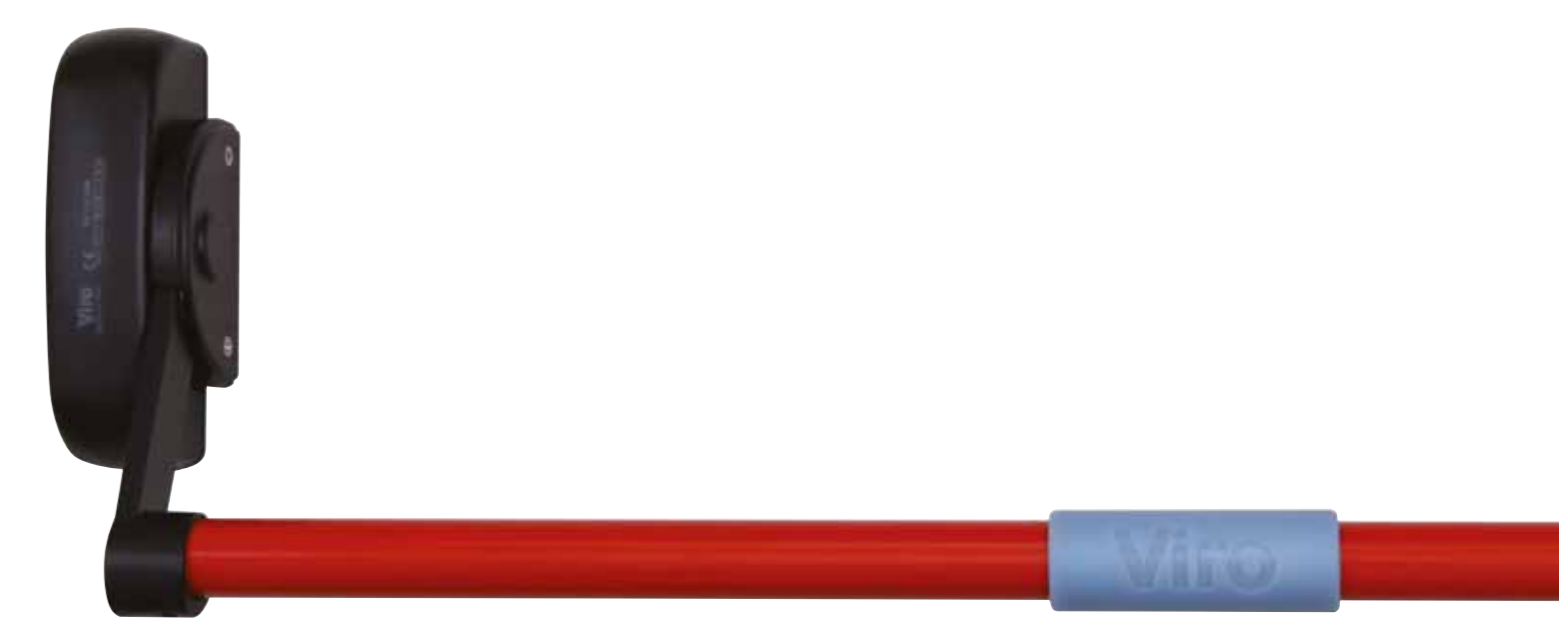
Viro PANIC DEVICES
 sturdy - practical - easy to install

6000 SERIES



Certified  EN 1125:2008
 for every kind of door, including fire doors

Made in Italy



CERTIFIED  EN 1125:2008
 CATEGORISATION **377B1422AA**

CROSS BAR PANIC DEVICE

Light and resistant bars in extruded aluminium with anti-rotation core

Base of the mechanism of just 35.5 mm and cross bar protruding just 88 mm to minimise the encumbrance and do not obstruct the escape routes

Very Sturdy including the versions
 Reversible for left and right hand
 Screwed in carters that cannot be pulled out
 Vertical bars that

Cod. 4882080914715 - 10/2014 VIRO S.p.A. These models are not binding and can be changed without notice.